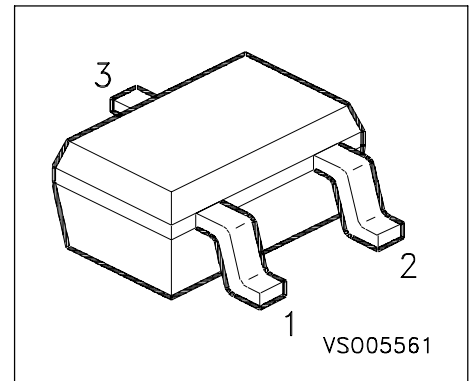


### Silicon Switching Diode

- For high speed switching applications



Type	Marking	Ordering Code	Pin Configuration		Package
BAS 16W	A6s	Q62702-A1050	1 = A	3 = C	SOT-323

#### Maximum Ratings

Parameter	Symbol	Values	Unit
Diode reverse voltage	$V_R$	75	V
Peak reverse voltage	$V_{RM}$	85	
Forward current	$I_F$	250	mA
Surge forward current, $t = 1 \mu s$	$I_{FS}$	4.5	
Total Power dissipation $T_S \leq 119 \text{ }^\circ\text{C}$	$P_{tot}$	250	mW
Junction temperature	$T_j$	150	
Storage temperature	$T_{stg}$	- 65 ... + 150	

#### Thermal Resistance

Junction ambient <sup>1)</sup>	$R_{thJA}$	$\leq 260$	K/W
Junction - soldering point	$R_{thJS}$	$\leq 125$	

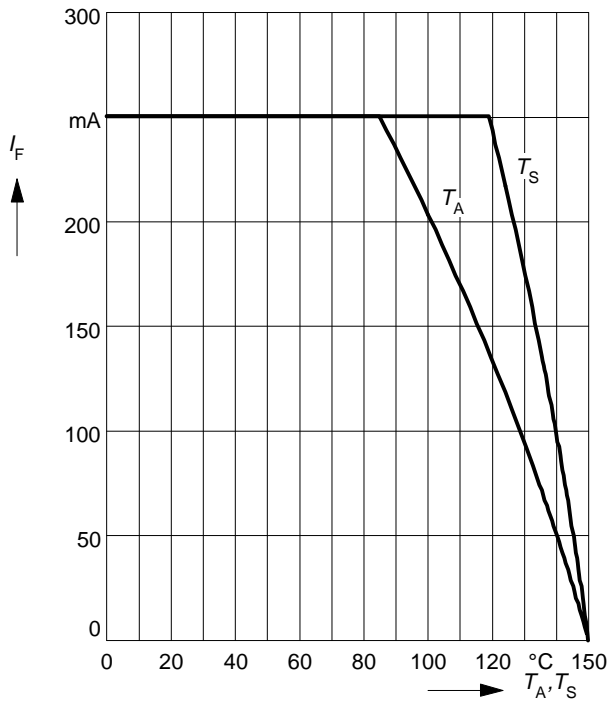
1) Package mounted on epoxy pcb 40mm x 40mm x 1.5mm / 0.5cm<sup>2</sup> Cu

### Electrical Characteristics at $T_A=25^\circ\text{C}$ , unless otherwise specified

Parameter	Symbol	Values			Unit
		min.	typ.	max.	
<b>DC characteristics</b>					
Breakdown voltage $I_{(BR)} = 100 \mu\text{A}$	$V_{(BR)}$	75	-	-	V
Forward voltage $I_F = 1 \text{ mA}$ $I_F = 10 \text{ mA}$ $I_F = 50 \text{ mA}$ $I_F = 150 \text{ mA}$	$V_F$	-	-	715 855 1000 1250	mV
Reverse current $V_R = 70 \text{ V}, T_A = 25^\circ\text{C}$ $V_R = 25 \text{ V}, T_A = 150^\circ\text{C}$ $V_R = 75 \text{ V}, T_A = 150^\circ\text{C}$	$I_R$	-	-	1 30 50	$\mu\text{A}$
<b>AC characteristics</b>					
Diode capacitance $V_R = 0 \text{ V}, f = 20 \text{ MHz}$	$C_D$	-	-	2	pF
Reverse recovery time $I_F = 10 \text{ mA}, I_R = 10 \text{ mA}, R_L = 100 \Omega$ $t_{rr}$ measured at 1 mA	$t_{rr}$	-	-	6	ns

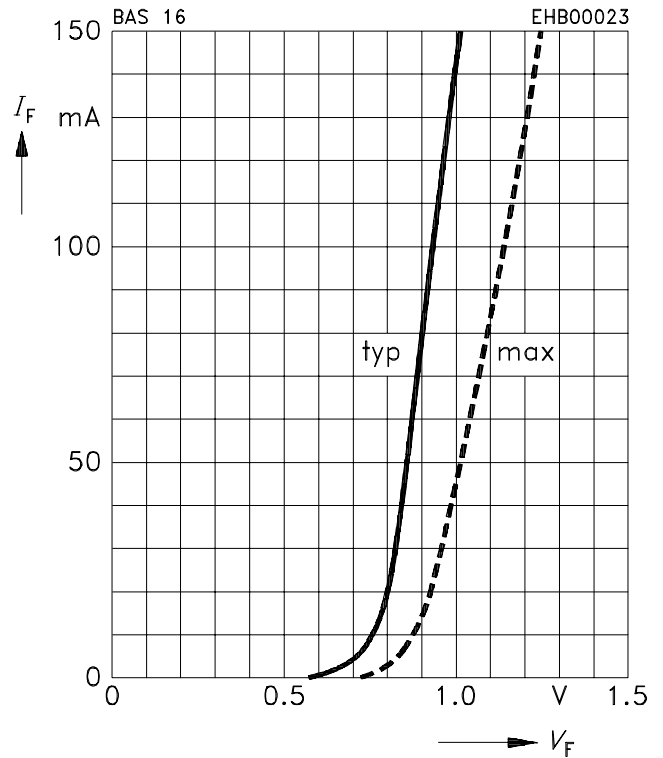
### Forward current $I_F = f(T_A^*; T_S)$

\* Package mounted on epoxy

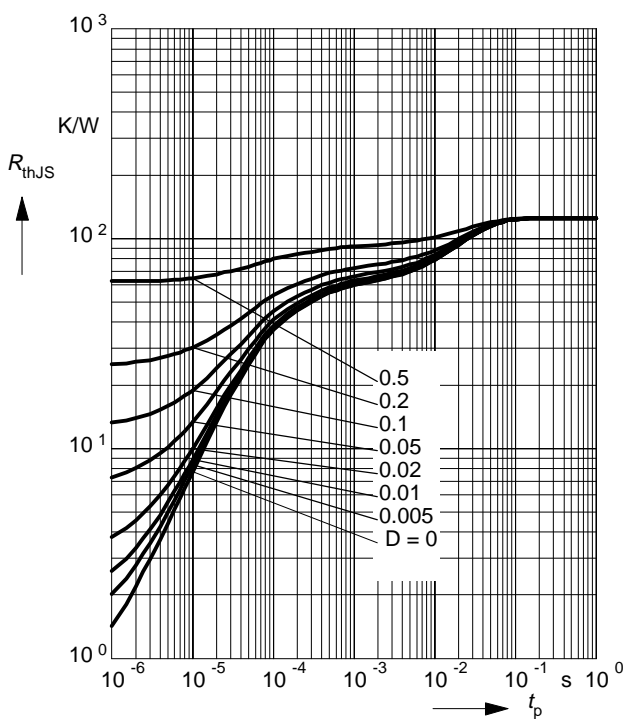


### Forward current $I_F = f(V_F)$

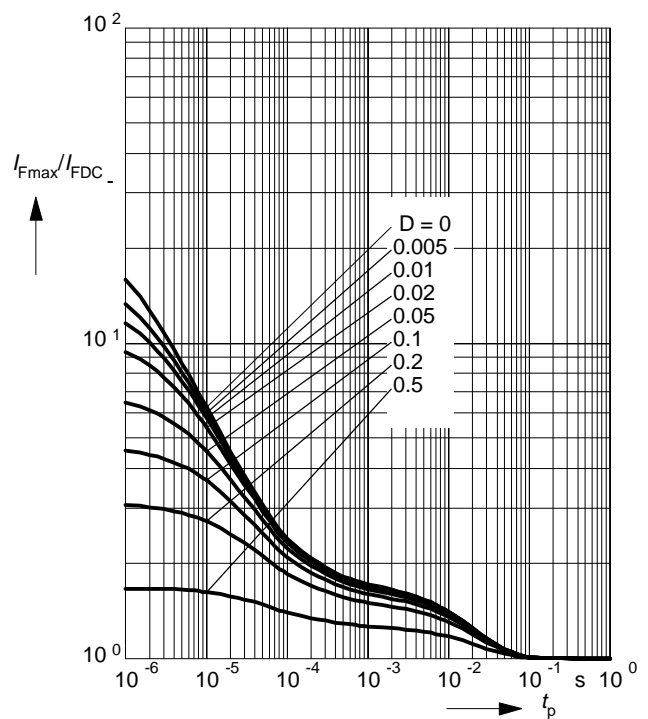
$T_A = 25^\circ\text{C}$



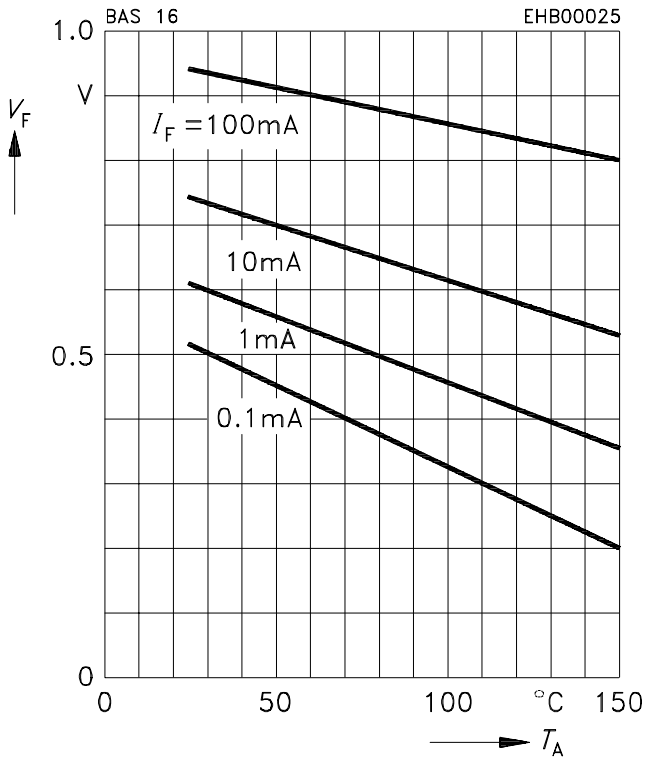
### Permissible Pulse Load $R_{thJS} = f(t_p)$



### Permissible Pulse Load $I_{Fmax}/I_{FDC} = f(t_p)$



**Forward voltage  $V_F = f(T_A)$**



**Reverse current  $I_R = f(T_A)$**

